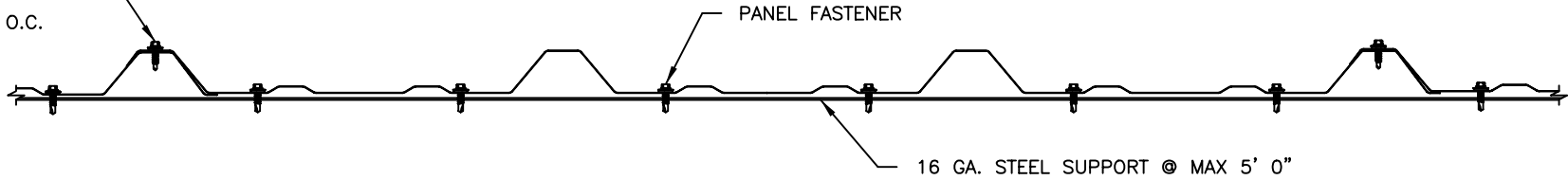
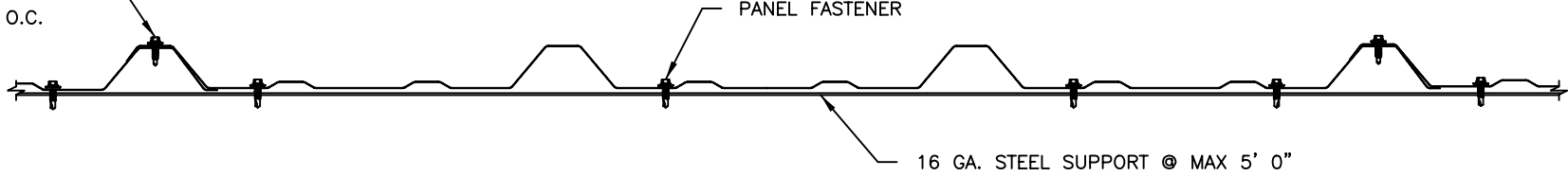


SIDELAP FASTENER
@ 1'-0" O.C.

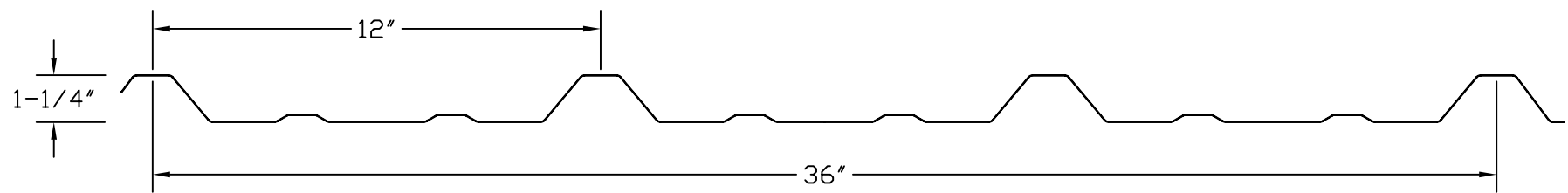


FASTENER PATTERN @ EAVE & RIDGE

SIDELAP FASTENER
@ 1'-0" O.C.



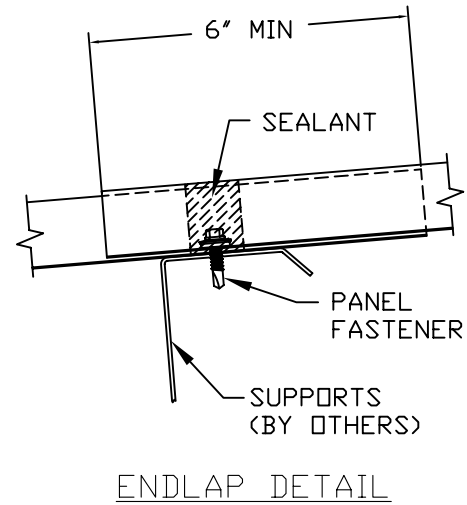
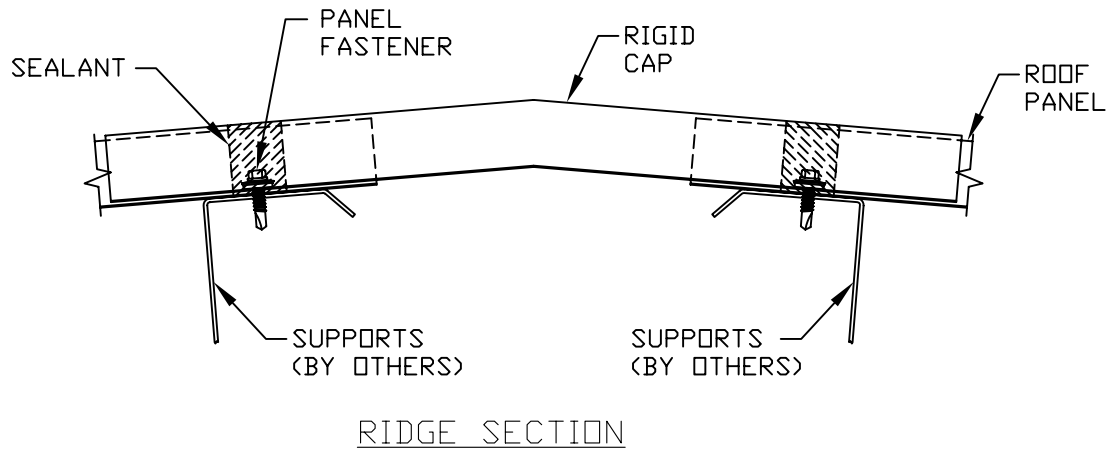
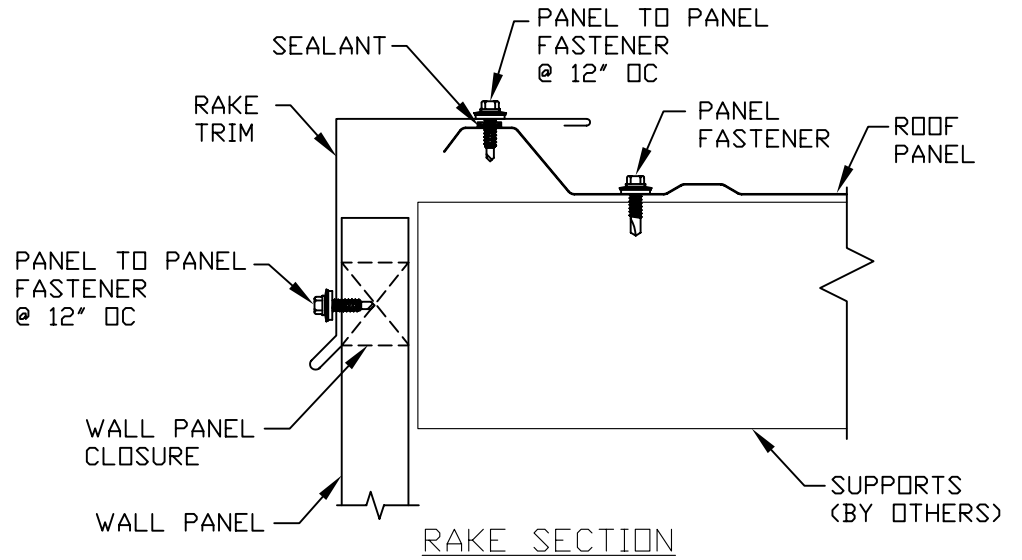
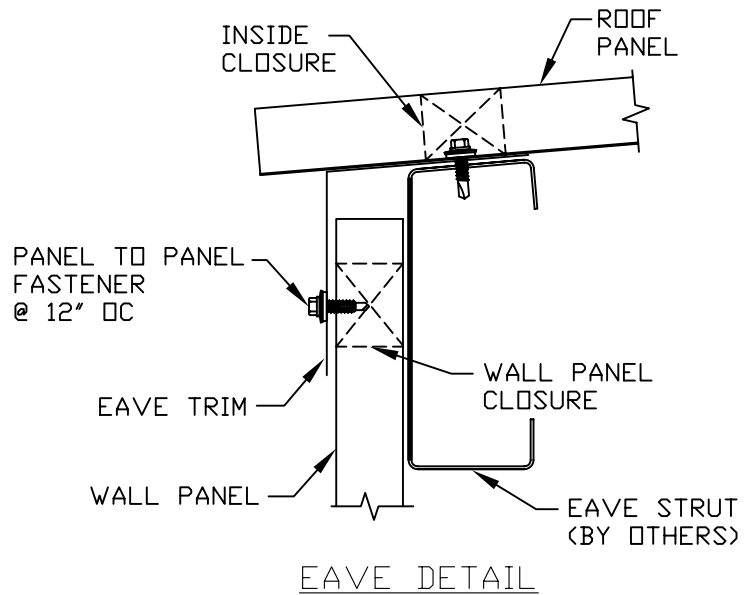
FASTENER PATTERN @ INTERMEDIATE LOCATIONS & ENDLAPS



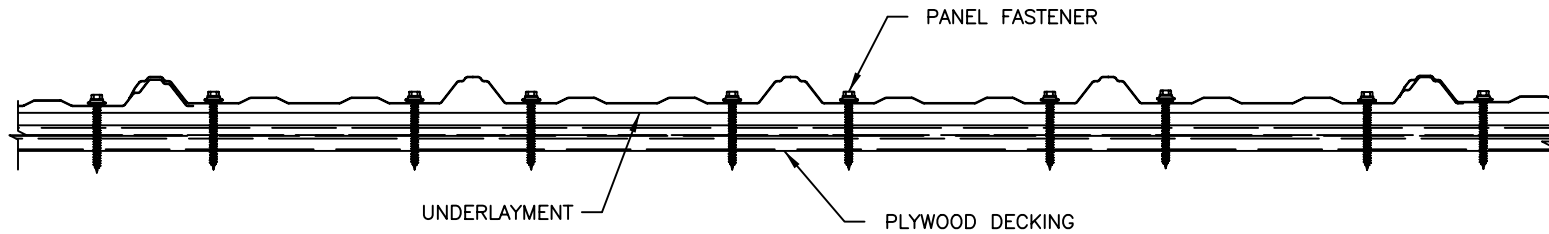
Strongseam R Panel Profile

24 or 26 Gauge, Minimum Yield = 80 KSI
ASTM A792 for Galvalume Steel
ASTM A755 for Painted Steel

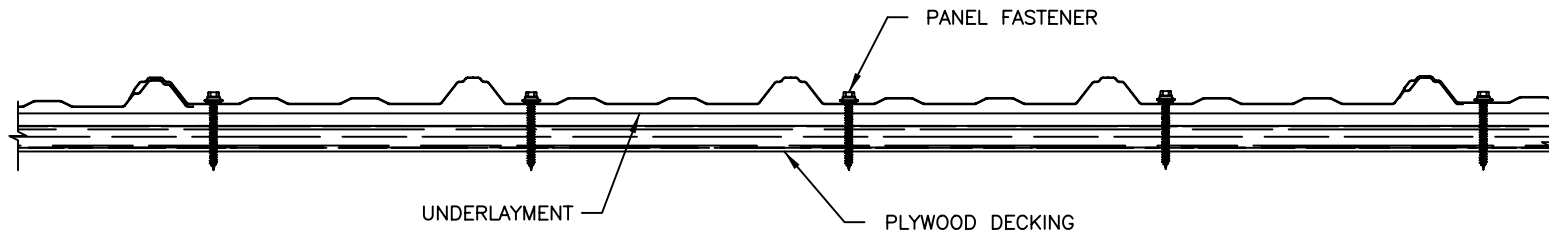
REV		DATE	REVISIONS	
1				
STRONGSEAM R PANEL		NAME	DATE	
BIG PANEL		Brian Sockalingam	1-4-2005	
SCALE	NONE	DRAWN		
		CHECKED:		
		APPROVED:		
MATERIAL PANELS INC		10730 E 95TH PL TULSA, OK 74146 Ph: (918) 441-4641 Fax: (918) 441-4646		
DATE:		7-28-2004		
1 OF 2				
Sheet No.				



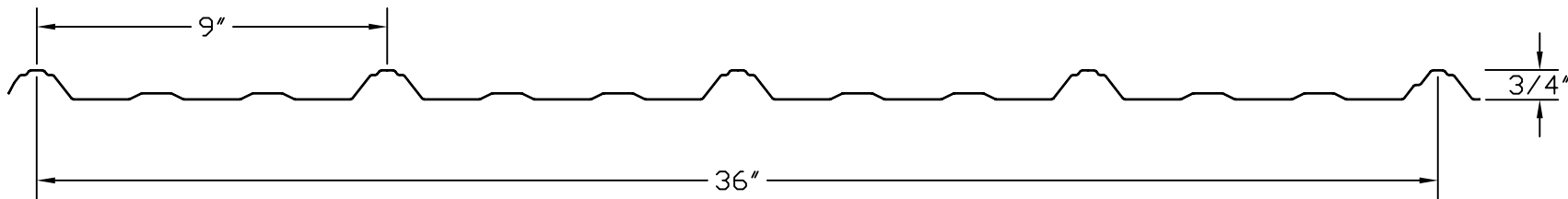
REV	DATE	NAME	DATE
1		Brian Sockalingam	1-4-2005
DRAWN		CHECKED	
BY: Brian Sockalingam		BY: [Signature]	
APPROVED		APPROVED	
SCALE		NONE	
PROJ FILE:	STRONGSEAM R PANEL		
R PANEL	METAL PANELS INC		
10730 E 85TH PL TULSA, OK 74146 Ph: (918) 481-1661 Fax: (918) 481-0846			
DATE:	1-4-2005		
2 OF 2			
Sheet No.			



FASTENER PATTERN @ EAVE, RIDGE & VALLEY



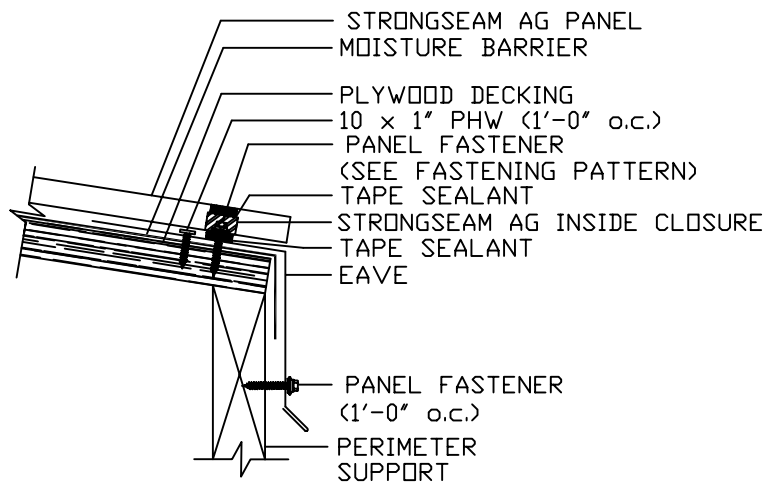
FASTENER PATTERN @ INTERMEDIATE LOCATIONS



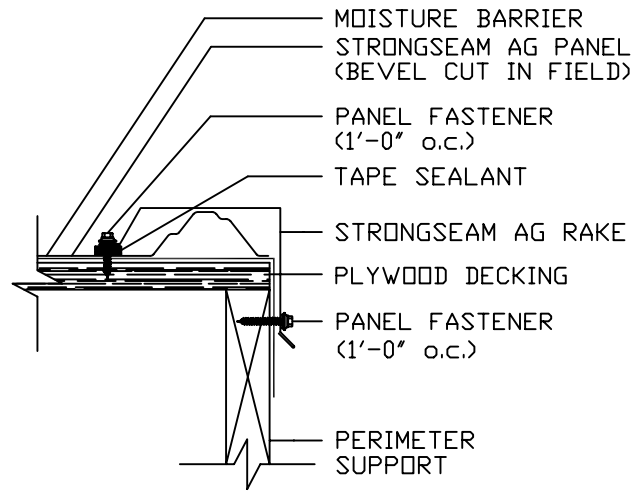
Strongseam AG Panel Profile

26 or 29 Gauge, Minimum Yield = 80 KSI
 ASTM A792 for Galvalume Steel
 ASTM A755 for Painted Steel
 ASTM A653 for Galvanized Steel

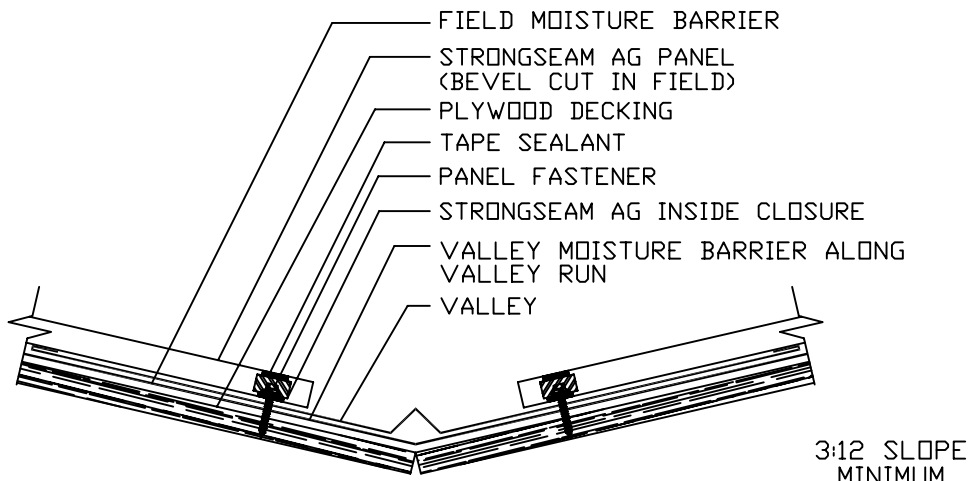
REV		DATE	REVISIONS	
1				
STRONGSEAM AG PANEL				
SCALE	NONE	NAME	DATE	
NO FILE	AG PANEL	Brian Soderstrom	1-4-2005	
DRAWN		CHECKED		
AG PANEL		APPROVED		
METAL PANELS INC				
10730 E 95TH PL TULSA, OK 74146 Ph: (918) 461-0661 Fax: (918) 461-0666				
DATE: 7-28-2004				
1 of 1				
Sheet No.				



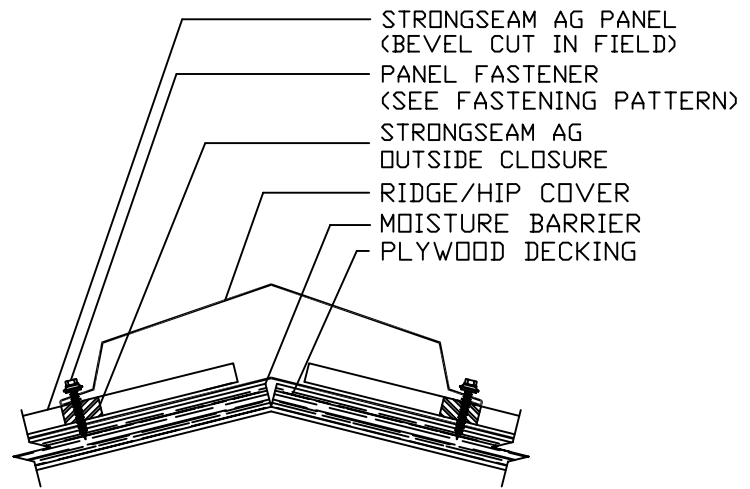
EAVE DETAIL



RAKE SECTION



VALLEY SECTION



RIDGE/HIP SECTION

REV. DATE		REV. DATE	
1		1	
STRONGSEAM AG PANEL		STRONGSEAM AG PANEL	
NAME	DATE	NAME	DATE
Brian Sockalingam	1-4-2005		
DRAWN	CHECKED	SCALE	NONE
MATERIAL PANELS INC.		MATERIAL PANELS INC.	
10730 E 85TH PL		10730 E 85TH PL	
TULSA, OK 74146		TULSA, OK 74146	
Ph: (918) 461-1661 Fax: (918) 461-0866		Ph: (918) 461-1661 Fax: (918) 461-0866	
DATE: 1-4-2005		DATE: 1-4-2005	
2 OF 2		2 OF 2	
Sheet No.		Sheet No.	